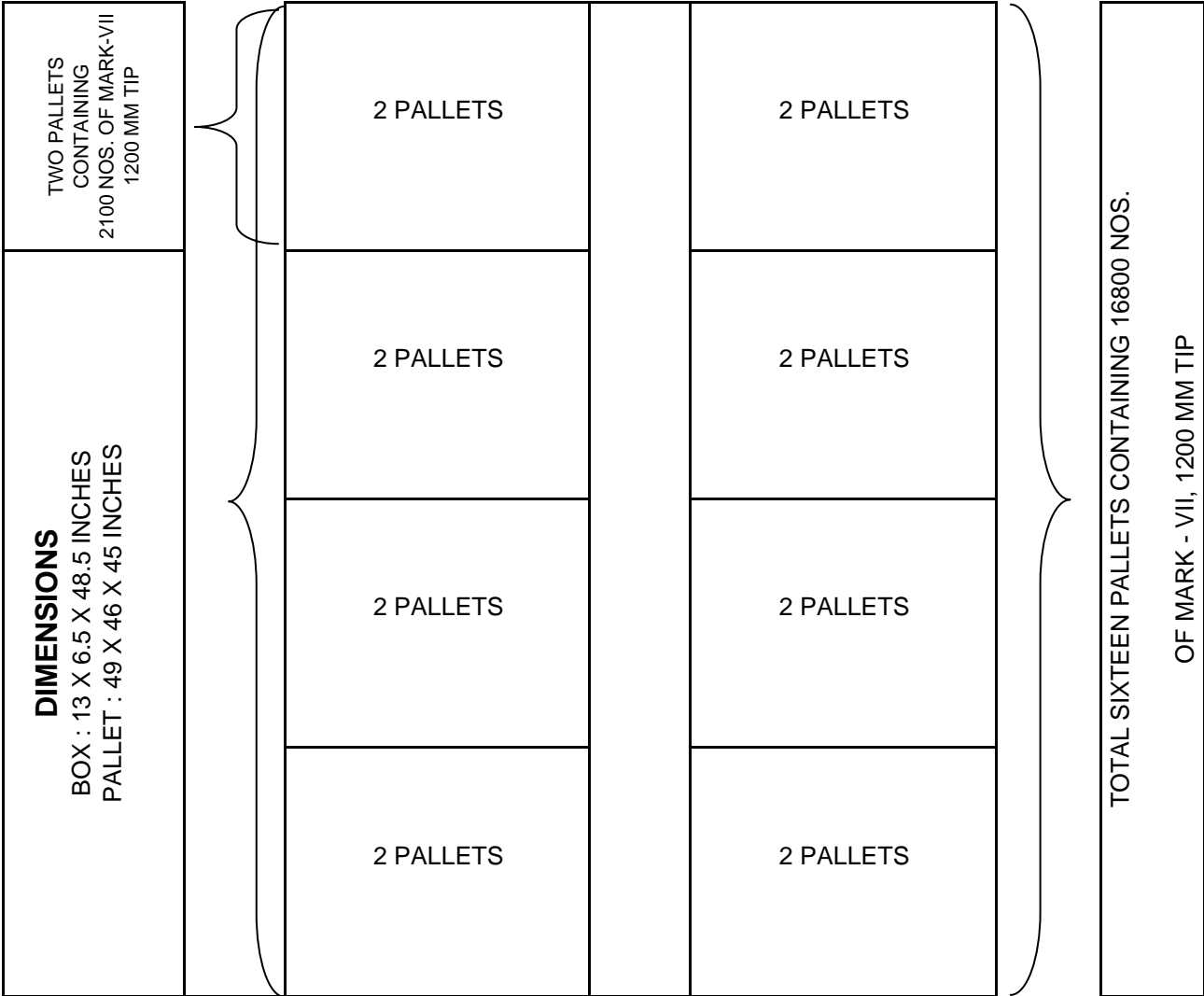
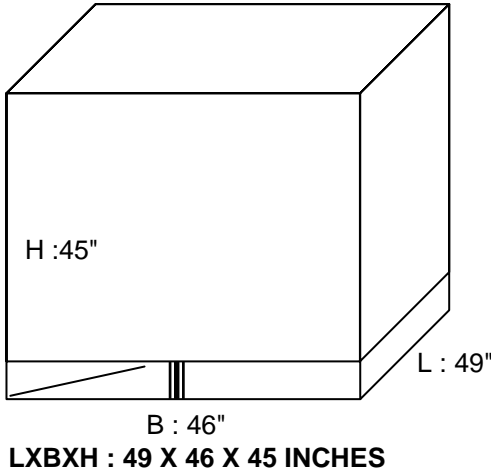


MARK - VII, 1200 MM PACKING DETAILS

1	2	3	4	5	6	7
7	X	3	21	50	1050	
BOXES		LAYER	BOXES /PALLET	NOS/BOX	NOS/PALLET	



20' GP - DOOR SIDE